



## 规格书 Specification

品类/Term: SW-M8 连接器系列-板后母插座

*SW-M8 connector series-female socket*

型号/Model:见下翻详情

*Under the double details*

承认签章/Admit signature					
供应商确认/supplier			客户公司承认/customer		
工程师 engineer	审核 audit	批准 approval	工程师 engineer	审核 audit	批准 approval
LXQ	WXW	CJY			
盖章签署 signature			盖章签署 signature		
日期/date			日期/date		

## 产品概述:

M8 连接器系列,是一款工业连接器。具备防水,耐油,耐寒,性能稳定,高效快速连接等优点。广泛用于光电开关,传感器和各种工业布线系统中。

自问世以来已经在户外灯箱,建筑机械,钢铁生产设备,电力设备,矿山机械,轮船机械,汽车设备,生产自动设备,温度传感器,液压机床,传感器,电磁阀,仪器仪表,压力变送器等领域有着优异的表现。

## Product overview:

*M8 connector series is an industrial connector. With waterproof, oil resistance, cold resistance, stable performance, high efficiency and fast connection, etc. Widely used in photoelectric switches, sensors and various industrial wiring systems.*

*Since its inception has been in outdoor light box, construction machinery, steel production equipment, power equipment, mining machinery, ship machinery, automotive equipment, production automatic equipment, temperature sensors, hydraulic machine tools, sensors, solenoid valves, instrumentation, pressure transmitters and other fields have excellent performance.*

### 一、产品型号 (Product model)

2pin female socket	3pin female socket	4pin female socket
SW8-2KLZ-H	SW8-3KLZ-H	SW8-4KLZ-H
5pin female socket	/	/
SW8-5KLZ-H	/	/

### 二、产品图片 (Product Appearance)

SW8-2KLZ-H



SW8-3KLZ-H



SW8-4KLZ-H



SW8-5KLZ-H



### 三、产品特性 (Product features)

- ☑快速简单的自锁定系统 (Quick, simple self locking system)
- ☑连接可靠 (Connect reliably)
- ☑产品体积小 (Small size of product)
- ☑多种芯数可选 2,3,4,5 芯支持多种应用场景  
(Multiple cores 2,3,4,5pin support multiple application scenarios)
- ☑防护等级 IP67 (waterproof rating IP67)
- ☑屏蔽效果 (With shielding function)
- ☑全金属材质 (All metal material)

### 四、技术参数 (Technical parameters)

#### 1.电气参数 (Electrical parameters)

芯数 Contacts No.	二芯 2pin	三芯 3pin	四芯 4pin	五芯 5pin
插针直径 Contact diameter(mm)	1.0	1.0	1.0	0.6
额定电流 Rated current	5A	5A	5A	5A
额定电压 Rated voltage	60V	60V	60V	60V
耐电压 Withstand voltage (AC.V 60S)	1000V	1000V	500V	500V
绝缘电阻 Insulation resistance	> 100MΩ			
线径范围 Wire(mm)	0~5.5			

## 2.材料和环境 (Material and environmental parameters)

外壳 (Shell)	铜/copper
胶芯 (Rubber core)	PA66 加纤 30%/ PA66 plus fiber 30%
触点 (Contacts)	铜镀金/Gold-plated copper
屏蔽壳(Shielding shell)	Copper nickel plating
螺丝 (Screw)	铝/aluminum
表面处理 (Surface treatment)	整体镀 Ni:80-120u"(Min) 公端母端镀金普通 U./Overall Ni plating: 80-120U "(Min) Male end and female end are plated with ordinary U.
防护等级 (Protection degree)	IP67
工作温度 (Working temperature)	-25 ~ +85C °

## 五、多角度展示/Multi-angle display:



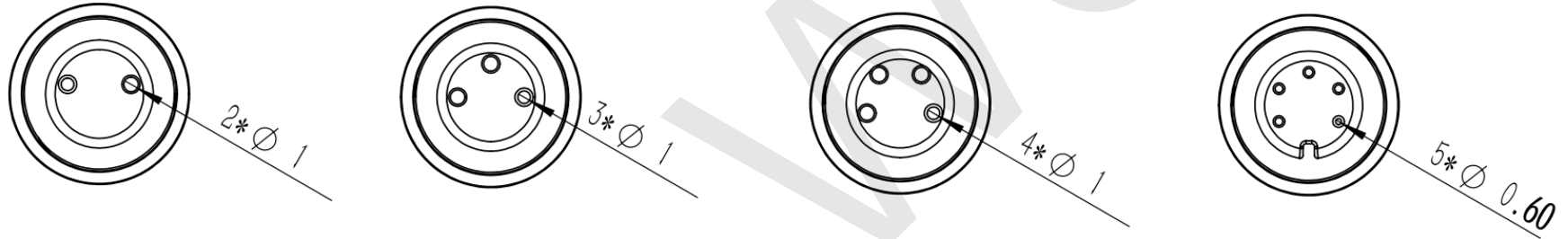
## 六、产品测试规范:

- 1.允许毛边最大为 0.05mm.
- 2.外观不允许有压伤,脏污,模痕等不良现象.
- 3.拱形:5mm/1000mm 最大,扭曲:45 ° /1000mm 最大.
- 4.盐雾测试 12 小时以上.
- 5.电镀表面不得有氧化、发黄、发黑、脏污、烧焦等不良现象;
- 6.外壳来回弯折 90 度电镀表面不得有脱皮现象

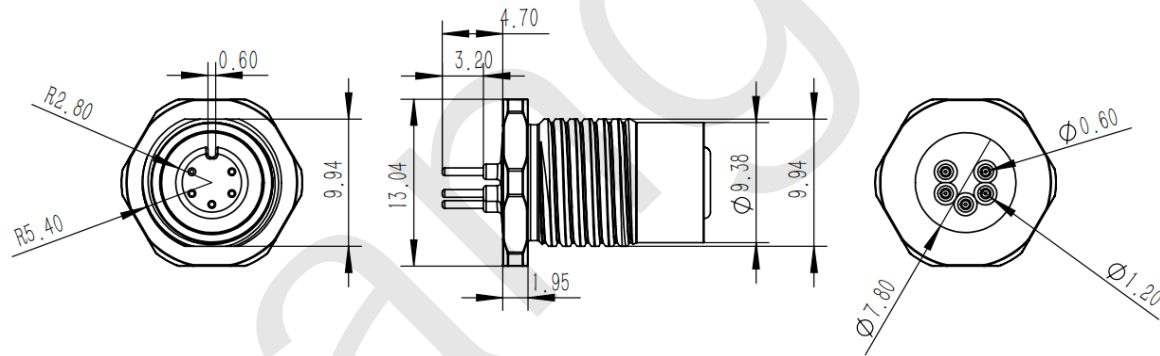
### **Product test specification:**

1. The maximum allowed burr edge is 0.05mm.
2. The appearance is not allowed to have damage, dirt, mold marks and other undesirable phenomena.
3. Arch :5mm/1000mm maximum, twist :45°/1000mm maximum.
4. Salt spray test more than 12 hours.
5. The electroplating surface shall not have oxidation, yellow, black, dirty, scorching and other adverse phenomena;
6. The shell bends back and forth 90 degrees on the electroplated surface without peeling phenomenon

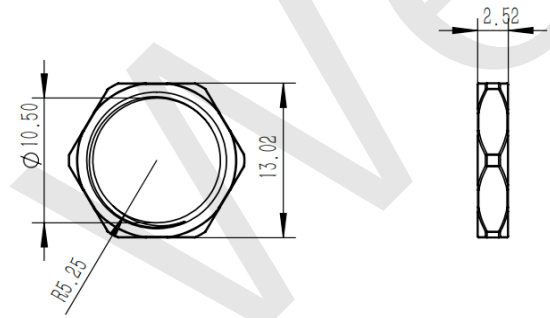
Contacts parts Unit:mm



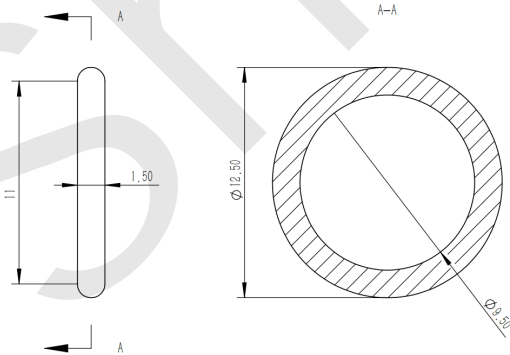
Female socket



Screw parts



Waterproof rubber



Shenzhen Shangwen Electronics

Trem	M8 waterproof female socket	No.	
Drawing	Shark	Audit	